



AS-i data decoupler 2 x 4 A Spring-type terminals, AS-i dual Data decoupling module IP20, SlimLine S22.5 spring-type terminals Overall width module 22.5 mm IN: 24 V / 30 V DC OUT: 2 x AS-i, 4 A Integrated overload protection Integrated ground fault detection Signaling contact Remote reset

General technical data:

Product designation		Twin data decoupling module
Design of the product		SlimLine S22.5 - Module to be used in the IP20 control cabinet
Protection class IP		IP20
Installation altitude at height above sea level maximum	m	2 000
Ambient temperature		
• during operation	°C	-25 ... +70
• during storage	°C	-40 ... +85
Relative humidity at 25 °C during operation maximum	%	70
Reference identifier acc. to DIN 40719 extended according to IEC 204-2 acc. to IEC 750		A
Reference identifier acc. to DIN EN 61346-2		A
Supplied active power	W	240
Mechanical service life (switching cycles) of the signaling contacts typical		1 000 000
Product function		
• Auto-reset		No

• External reset		Yes
• Manual RESET		Yes
• Ground fault detection		Yes
• Test function of signaling contacts		Yes
• suitable for grounded AS-i networks		Yes
• adapted for non-grounded AS-i networks		Yes
• suitable for AS-i Power24V		Yes
• sequential connected time-delay		Yes
• AS-interface data decoupling		Yes
Reset function		yes
Adjustable pick-up value current of the current-dependent overload release	A	2.5 ... 4
Number of electrical connections for signaling contact		3
Number of outputs for AS Interface maximum		2
Display version as status display by LED		yes
Number of switching contacts as NO contact for signaling function		2
Design of the switching contact as NO contact for signaling function		yes
Response delay of the sequential connection delay	ms	200

Communication/ Protocol:

Protocol is supported AS-interface protocol		Yes
--	--	-----

Auxiliary circuit:

Operating current of auxiliary contacts		
• at AC-15 at 24 V	A	3
• at DC-13 at 24 V	A	1

Inputs/ Outputs:

Type of voltage		
• of the input voltages		DC
• of the input voltage		DC
Property of the output Short-circuit proof		Yes
Output voltage		
• 1 at DC		
— rated value	V	30
— rated value	V	20.5 ... 31.6
• 2 at DC rated value	V	24
Output current at DC maximum	A	4
Input voltage		
• 1 at DC		
— rated value	V	30
— rated value	V	21 ... 32

• 2 at DC rated value	V	24
Input current at DC maximum	A	8.2

Short-circuit:		
Design of short-circuit protection		electronic

Installation/ mounting/ dimensions:		
Mounting position		vertical
Mounting type		35-mm DIN rail mounting or wall mounting with plug-in flaps
Width	mm	22.5
Height	mm	104.9
Depth	mm	121.2
Type of electrical connection for auxiliary and control current circuit		spring-loaded terminals
Product function removable terminal for auxiliary and control circuit		Yes
Type of connectable conductor cross-sections		
<ul style="list-style-type: none"> • for auxiliary contacts <ul style="list-style-type: none"> — solid — finely stranded <ul style="list-style-type: none"> — with core end processing — without core end processing • at AWG conductors for auxiliary contacts 		2x (0.25 ... 1.5 mm ²) 2x (0.25 ... 1.5 mm ²) 2x (0.25 ... 1.5 mm ²) 2x (24 ... 16)
Certificate of suitability		CE / UL / CSA
Suitability for use safety-related circuits		Yes

Certificates/ approvals:

General Product Approval	Declaration of Conformity	Shipping Approval
---------------------------------	----------------------------------	--------------------------



Shipping Approval	other
--------------------------	--------------



[Confirmation](#)

Further information

Information- and Downloadcenter (Catalogs, Brochures,...)
<http://www.siemens.com/industrial-controls/catalogs>

Industry Mall (Online ordering system)

<http://www.siemens.com/industrymall>

Cax online generator

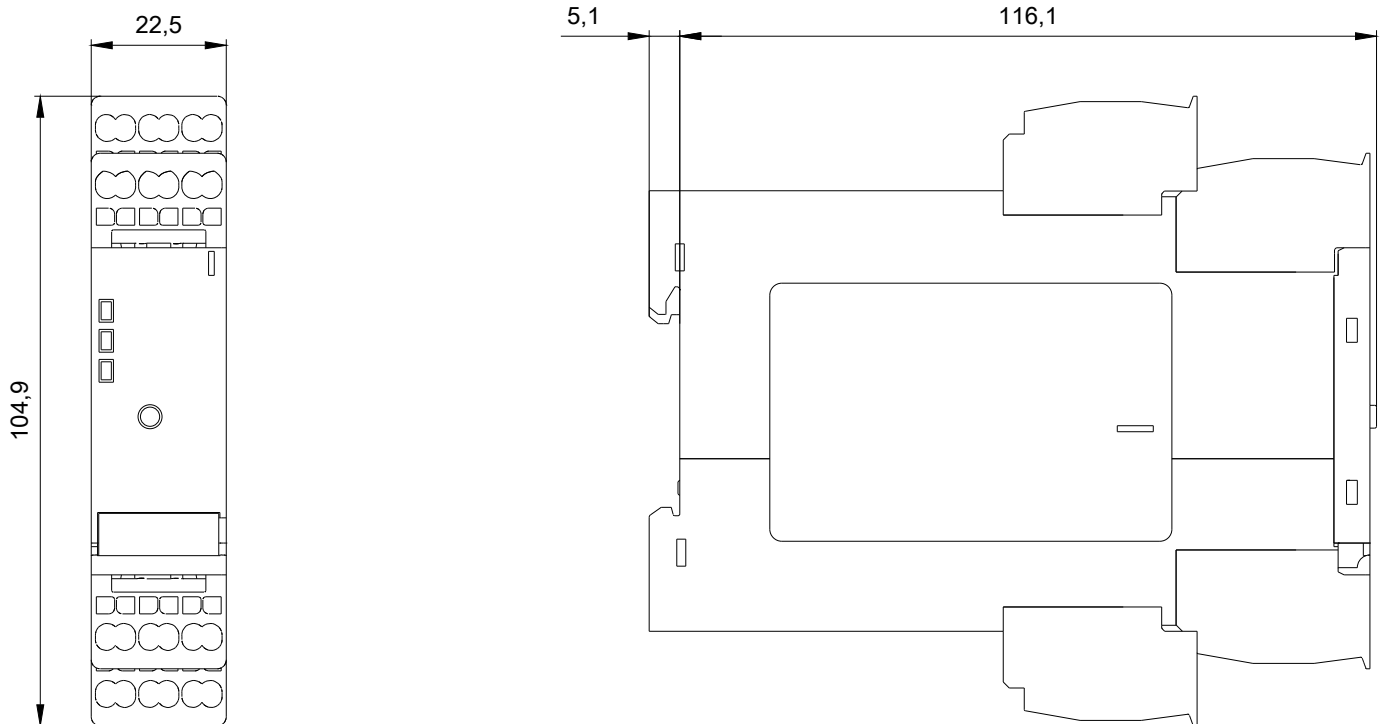
<http://support.automation.siemens.com/WW/CAXorder/default.aspx?lang=en&mlfb=3RK1901-1DG22-1AA0>

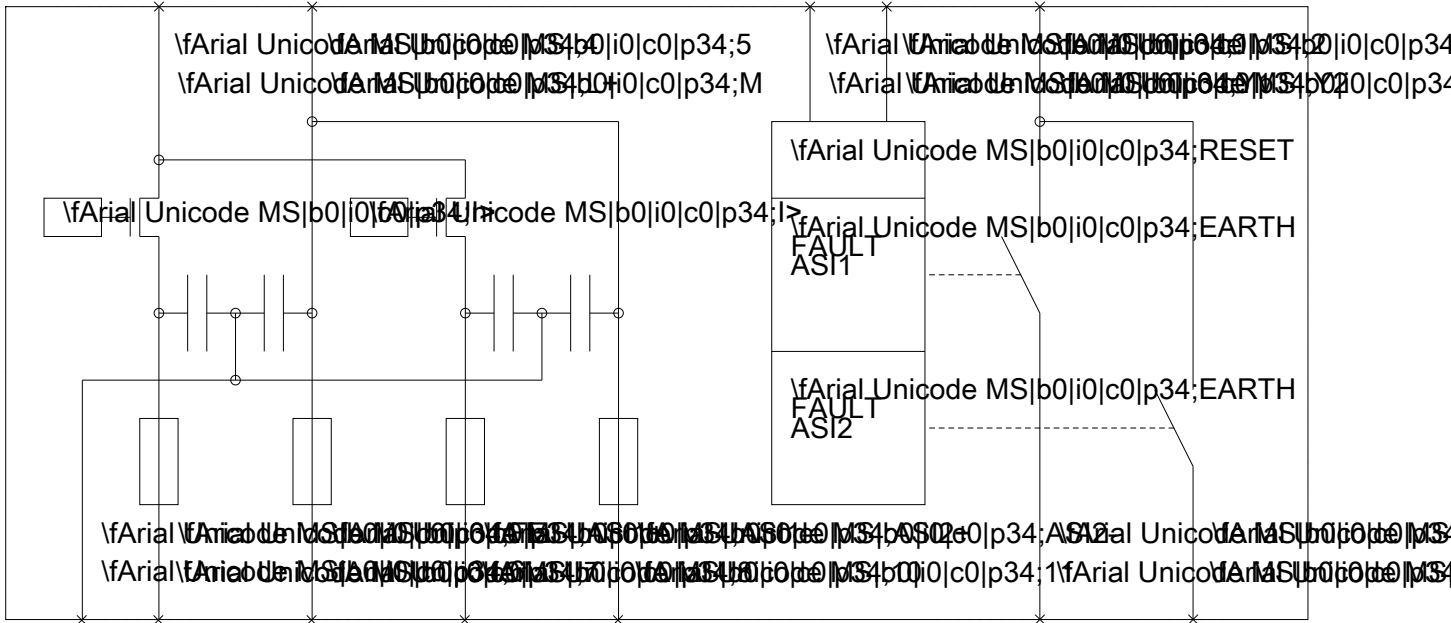
Service&Support (Manuals, Certificates, Characteristics, FAQs,...)

<https://support.industry.siemens.com/cs/ww/en/ps/3RK1901-1DG22-1AA0>

Image database (product images, 2D dimension drawings, 3D models, device circuit diagrams, EPLAN macros, ...)

http://www.automation.siemens.com/bilddb/cax_de.aspx?mlfb=3RK1901-1DG22-1AA0&lang=en





last modified:

10/24/2018