

Vacuum contactor, AC-3 500 A, 250 kW / 400 V AC (50-60 Hz) / DC operation 42-48 V UC Auxiliary contacts 2 NO + 2 NC 3-pole, Size S12 Busbar connections Drive: conventional



Figure similar

Product brand name	SIRIUS
Product designation	Vacuum contactor
Product type designation	3RT12

General technical data	
Size of contactor	S12
Product extension	
<ul style="list-style-type: none"> <li>function module for communication</li> </ul>	No
<ul style="list-style-type: none"> <li>Auxiliary switch</li> </ul>	Yes
Surge voltage resistance	
<ul style="list-style-type: none"> <li>of main circuit rated value</li> </ul>	8 kV
<ul style="list-style-type: none"> <li>of auxiliary circuit rated value</li> </ul>	6 kV
maximum permissible voltage for safe isolation	
<ul style="list-style-type: none"> <li>between coil and main contacts acc. to EN 60947-1</li> </ul>	690 V
Protection class IP	
<ul style="list-style-type: none"> <li>on the front</li> </ul>	IP00; IP20 on the front with cover / box terminal
<ul style="list-style-type: none"> <li>of the terminal</li> </ul>	IP00

<b>Shock resistance at rectangular impulse</b>	
<ul style="list-style-type: none"> <li>• at AC</li> <li>• at DC</li> </ul>	8,5g / 5 ms, 4,2g / 10 ms 8,5g / 5 ms, 4,2g / 10 ms
<b>Shock resistance with sine pulse</b>	
<ul style="list-style-type: none"> <li>• at AC</li> <li>• at DC</li> </ul>	13,4g / 5 ms, 6,5g / 10 ms 13,4g / 5 ms, 6,5g / 10 ms
<b>Mechanical service life (switching cycles)</b>	
<ul style="list-style-type: none"> <li>• of contactor typical</li> <li>• of the contactor with added electronics-compatible auxiliary switch block typical</li> <li>• of the contactor with added auxiliary switch block typical</li> </ul>	10 000 000 5 000 000 10 000 000
<b>Reference code acc. to DIN 40719 extended according to IEC 204-2 acc. to IEC 750</b>	K
<b>Reference code acc. to DIN EN 81346-2</b>	Q

### Ambient conditions

<b>Installation altitude at height above sea level</b>	
<ul style="list-style-type: none"> <li>• maximum</li> </ul>	2 000 m
<b>Ambient temperature</b>	
<ul style="list-style-type: none"> <li>• during operation</li> <li>• during storage</li> </ul>	-25 ... +60 °C -55 ... +80 °C

### Main circuit

<b>Number of poles for main current circuit</b>	3
<b>Number of NO contacts for main contacts</b>	3
<b>Operating voltage</b>	
<ul style="list-style-type: none"> <li>• at AC-3 rated value maximum</li> </ul>	1 000 V
<b>Operating current</b>	
<ul style="list-style-type: none"> <li>• at AC-1 at 400 V <ul style="list-style-type: none"> <li>— at ambient temperature 40 °C rated value</li> </ul> </li> <li>• at AC-1 <ul style="list-style-type: none"> <li>— up to 690 V at ambient temperature 40 °C rated value</li> <li>— up to 690 V at ambient temperature 60 °C rated value</li> <li>— up to 1000 V at ambient temperature 40 °C rated value</li> <li>— up to 1000 V at ambient temperature 60 °C rated value</li> </ul> </li> <li>• at AC-2 at 400 V rated value</li> <li>• at AC-3 <ul style="list-style-type: none"> <li>— at 400 V rated value</li> <li>— at 500 V rated value</li> </ul> </li> </ul>	610 A 610 A 550 A 610 A 550 A 500 A 500 A 500 A

— at 690 V rated value	500 A
— at 1000 V rated value	500 A
• at AC-4 at 400 V rated value	430 A
<b>Connectable conductor cross-section in main circuit at AC-1</b>	
• at 60 °C minimum permissible	370 mm <sup>2</sup>
• at 40 °C minimum permissible	370 mm <sup>2</sup>
<b>Operating current for approx. 200000 operating cycles at AC-4</b>	
• at 400 V rated value	215 A
• at 690 V rated value	151 A
<b>Operating power</b>	
• at AC-1	
— at 230 V at 60 °C rated value	208 kW
— at 400 V rated value	362 kW
— at 400 V at 60 °C rated value	550 kW
— at 690 V rated value	624 kW
— at 690 V at 60 °C rated value	624 kW
— at 1000 V at 60 °C rated value	905 kW
• at AC-2 at 400 V rated value	250 kW
• at AC-3	
— at 230 V rated value	160 kW
— at 400 V rated value	250 kW
— at 500 V rated value	355 kW
— at 690 V rated value	500 kW
— at 1000 V rated value	710 kW
<b>Operating power for approx. 200000 operating cycles at AC-4</b>	
• at 400 V rated value	122 kW
• at 690 V rated value	212 kW
<b>Thermal short-time current limited to 10 s</b>	4 000 A
<b>Power loss [W] at AC-3 at 400 V for rated value of the operating current per conductor</b>	32 W
<b>No-load switching frequency</b>	
• at AC	2 000 1/h
• at DC	2 000 1/h
<b>Operating frequency</b>	
• at AC-1 maximum	700 1/h
• at AC-2 maximum	250 1/h
• at AC-3 maximum	750 1/h
• at AC-4 maximum	250 1/h

Control circuit/ Control

<b>Type of voltage of the control supply voltage</b>	AC/DC
<b>Control supply voltage at AC</b>	
• at 50 Hz rated value	42 ... 48 V
• at 60 Hz rated value	42 ... 48 V
<b>Control supply voltage at DC</b>	
• rated value	42 ... 48 V
<b>Operating range factor control supply voltage rated value of magnet coil at DC</b>	
• initial value	0.8
• Full-scale value	1.1
<b>Operating range factor control supply voltage rated value of magnet coil at AC</b>	
• at 50 Hz	0.8 ... 1.1
• at 60 Hz	0.8 ... 1.1
<b>Design of the surge suppressor</b>	with varistor
<b>Apparent pick-up power of magnet coil at AC</b>	
• at 50 Hz	830 V·A
<b>Inductive power factor with closing power of the coil</b>	
• at 50 Hz	0.9
<b>Apparent holding power of magnet coil at AC</b>	
• at 50 Hz	9.2 V·A
<b>Inductive power factor with the holding power of the coil</b>	
• at 50 Hz	0.9
<b>Closing power of magnet coil at DC</b>	920 W
<b>Holding power of magnet coil at DC</b>	10 W
<b>Closing delay</b>	
• at AC	45 ... 100 ms
• at DC	45 ... 100 ms
<b>Opening delay</b>	
• at AC	60 ... 100 ms
• at DC	60 ... 100 ms
<b>Arcing time</b>	10 ... 15 ms
<b>Control version of the switch operating mechanism</b>	Standard A1 - A2
<b>Auxiliary circuit</b>	
<b>Number of NC contacts for auxiliary contacts</b>	
• instantaneous contact	2
<b>Number of NO contacts for auxiliary contacts</b>	
• instantaneous contact	2
<b>Operating current at AC-12 maximum</b>	10 A
<b>Operating current at AC-15</b>	
• at 230 V rated value	6 A

<ul style="list-style-type: none"> <li>• at 400 V rated value</li> <li>• at 500 V rated value</li> <li>• at 690 V rated value</li> </ul>	<p>3 A</p> <p>2 A</p> <p>1 A</p>
<b>Operating current at DC-12</b>	
<ul style="list-style-type: none"> <li>• at 24 V rated value</li> <li>• at 48 V rated value</li> <li>• at 60 V rated value</li> <li>• at 110 V rated value</li> <li>• at 125 V rated value</li> <li>• at 220 V rated value</li> <li>• at 600 V rated value</li> </ul>	<p>10 A</p> <p>6 A</p> <p>6 A</p> <p>3 A</p> <p>2 A</p> <p>1 A</p> <p>0.15 A</p>
<b>Operating current at DC-13</b>	
<ul style="list-style-type: none"> <li>• at 24 V rated value</li> <li>• at 48 V rated value</li> <li>• at 60 V rated value</li> <li>• at 110 V rated value</li> <li>• at 125 V rated value</li> <li>• at 220 V rated value</li> <li>• at 600 V rated value</li> </ul>	<p>10 A</p> <p>2 A</p> <p>2 A</p> <p>1 A</p> <p>0.9 A</p> <p>0.3 A</p> <p>0.1 A</p>
<b>Contact reliability of auxiliary contacts</b>	1 faulty switching per 100 million (17 V, 1 mA)

#### UL/CSA ratings

<b>Full-load current (FLA) for three-phase AC motor</b>	
<ul style="list-style-type: none"> <li>• at 480 V rated value</li> <li>• at 600 V rated value</li> </ul>	<p>477 A</p> <p>472 A</p>
<b>Yielded mechanical performance [hp]</b>	
<ul style="list-style-type: none"> <li>• for three-phase AC motor <ul style="list-style-type: none"> <li>— at 200/208 V rated value</li> <li>— at 220/230 V rated value</li> <li>— at 460/480 V rated value</li> <li>— at 575/600 V rated value</li> </ul> </li> </ul>	<p>150 hp</p> <p>200 hp</p> <p>400 hp</p> <p>500 hp</p>
<b>Contact rating of auxiliary contacts according to UL</b>	A600 / Q600

#### Short-circuit protection

<b>Design of the fuse link</b>	
<ul style="list-style-type: none"> <li>• for short-circuit protection of the main circuit <ul style="list-style-type: none"> <li>— with type of coordination 1 required</li> <li>— with type of assignment 2 required</li> </ul> </li> <li>• for short-circuit protection of the auxiliary switch required</li> </ul>	<p>gG: 800 A (690 V, 100 kA)</p> <p>gG: 800 A (690 V, 50 kA), aM: 630 A (690 V, 50 kA), BS88: 800 A (415 V, 50 kA)</p> <p>gG: 10 A (500 V, 1 kA)</p>

#### Installation/ mounting/ dimensions

<b>Mounting position</b>	+/-22,5° rotation possible on vertical mounting surface; can be tilted forward and backward by +/- 22.5° on vertical mounting surface; standing, on horizontal mounting surface
<b>Mounting type</b>	screw fixing
<ul style="list-style-type: none"> <li>• Side-by-side mounting</li> </ul>	Yes
<b>Height</b>	210 mm
<b>Width</b>	145 mm
<b>Depth</b>	206 mm
<b>Required spacing</b>	
<ul style="list-style-type: none"> <li>• with side-by-side mounting <ul style="list-style-type: none"> <li>— forwards</li> <li>— upwards</li> <li>— downwards</li> <li>— at the side</li> </ul> </li> <li>• for grounded parts <ul style="list-style-type: none"> <li>— forwards</li> <li>— upwards</li> <li>— at the side</li> <li>— downwards</li> </ul> </li> <li>• for live parts <ul style="list-style-type: none"> <li>— forwards</li> <li>— upwards</li> <li>— downwards</li> <li>— at the side</li> </ul> </li> </ul>	20 mm 10 mm 10 mm 0 mm  20 mm 10 mm 10 mm 10 mm  20 mm 10 mm 10 mm 10 mm

### Connections/Terminals

<b>Type of electrical connection</b>	
<ul style="list-style-type: none"> <li>• for main current circuit</li> <li>• for auxiliary and control current circuit</li> </ul>	Connection bar screw-type terminals
<b>Type of connectable conductor cross-sections</b>	
<ul style="list-style-type: none"> <li>• at AWG conductors for main contacts</li> </ul>	2/0 ... 500 kcmil
<b>Connectable conductor cross-section for main contacts</b>	
<ul style="list-style-type: none"> <li>• stranded</li> </ul>	70 ... 240 mm <sup>2</sup>
<b>Connectable conductor cross-section for auxiliary contacts</b>	
<ul style="list-style-type: none"> <li>• single or multi-stranded</li> <li>• finely stranded with core end processing</li> </ul>	0.5 ... 4 mm <sup>2</sup> 0.5 ... 2.5 mm <sup>2</sup>
<b>Type of connectable conductor cross-sections</b>	
<ul style="list-style-type: none"> <li>• for auxiliary contacts <ul style="list-style-type: none"> <li>— solid</li> <li>— single or multi-stranded</li> <li>— finely stranded with core end processing</li> </ul> </li> </ul>	2x (0.5 ... 1.5 mm <sup>2</sup> ), 2x (0.75 ... 2.5 mm <sup>2</sup> ), max. 2x (0.75 ... 4 mm <sup>2</sup> ) 2x (0,5 ... 1,5 mm <sup>2</sup> ), 2x (0,75 ... 2,5 mm <sup>2</sup> ), max. 2x (0,75 ... 4 mm <sup>2</sup> ) 2x (0.5 ... 1.5 mm <sup>2</sup> ), 2x (0.75 ... 2.5 mm <sup>2</sup> )

<ul style="list-style-type: none"> <li>at AWG conductors for auxiliary contacts</li> </ul>	2x (20 ... 16), 2x (18 ... 14), 1x 12
<b>AWG number as coded connectable conductor cross section</b>	
<ul style="list-style-type: none"> <li>for auxiliary contacts</li> </ul>	18 ... 14

**Safety related data**

<b>Product function</b> <ul style="list-style-type: none"> <li>Mirror contact acc. to IEC 60947-4-1</li> <li>positively driven operation acc. to IEC 60947-5-1</li> </ul>	Yes No
<b>Protection against electrical shock</b>	finger-safe when touched vertically from front acc. to IEC 60529

**Certificates/approvals**

<b>General Product Approval</b>	<b>Functional Safety/Safety of Machinery</b>	<b>Declaration of Conformity</b>
---------------------------------	--	----------------------------------



[Type Examination Certificate](#)



<b>Test Certificates</b>	<b>Marine / Shipping</b>	<b>other</b>
--------------------------	--------------------------	--------------

[Type Test Certificates/Test Report](#)

[Special Test Certificate](#)



[Confirmation](#)

[Miscellaneous](#)

**Further information**

**Information- and Downloadcenter (Catalogs, Brochures,...)**

<http://www.siemens.com/industrial-controls/catalogs>

**Industry Mall (Online ordering system)**

<https://mall.industry.siemens.com/mall/en/en/Catalog/product?mlfb=3RT1276-6AD36>

**Cax online generator**

<http://support.automation.siemens.com/WW/CAXorder/default.aspx?lang=en&mlfb=3RT1276-6AD36>

**Service&Support (Manuals, Certificates, Characteristics, FAQs,...)**

<https://support.industry.siemens.com/cs/ww/en/ps/3RT1276-6AD36>

**Image database (product images, 2D dimension drawings, 3D models, device circuit diagrams, EPLAN macros, ...)**

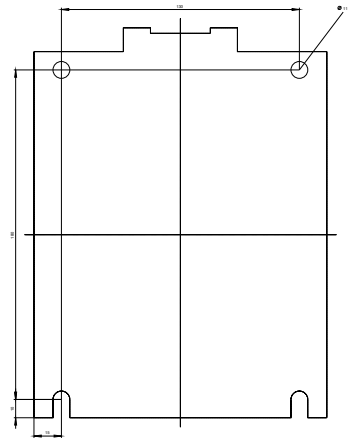
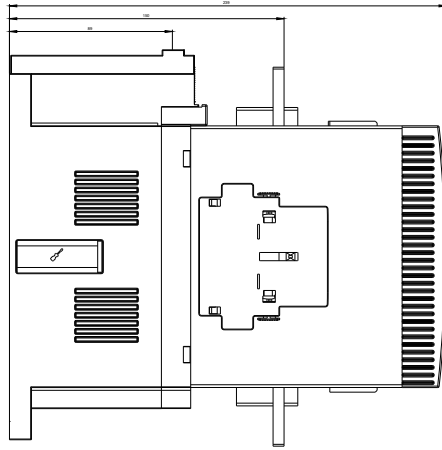
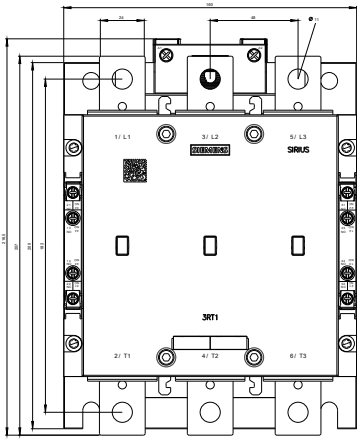
[http://www.automation.siemens.com/bilddb/cax\\_de.aspx?mlfb=3RT1276-6AD36&lang=en](http://www.automation.siemens.com/bilddb/cax_de.aspx?mlfb=3RT1276-6AD36&lang=en)

**Characteristic: Tripping characteristics, I<sup>2</sup>t, Let-through current**

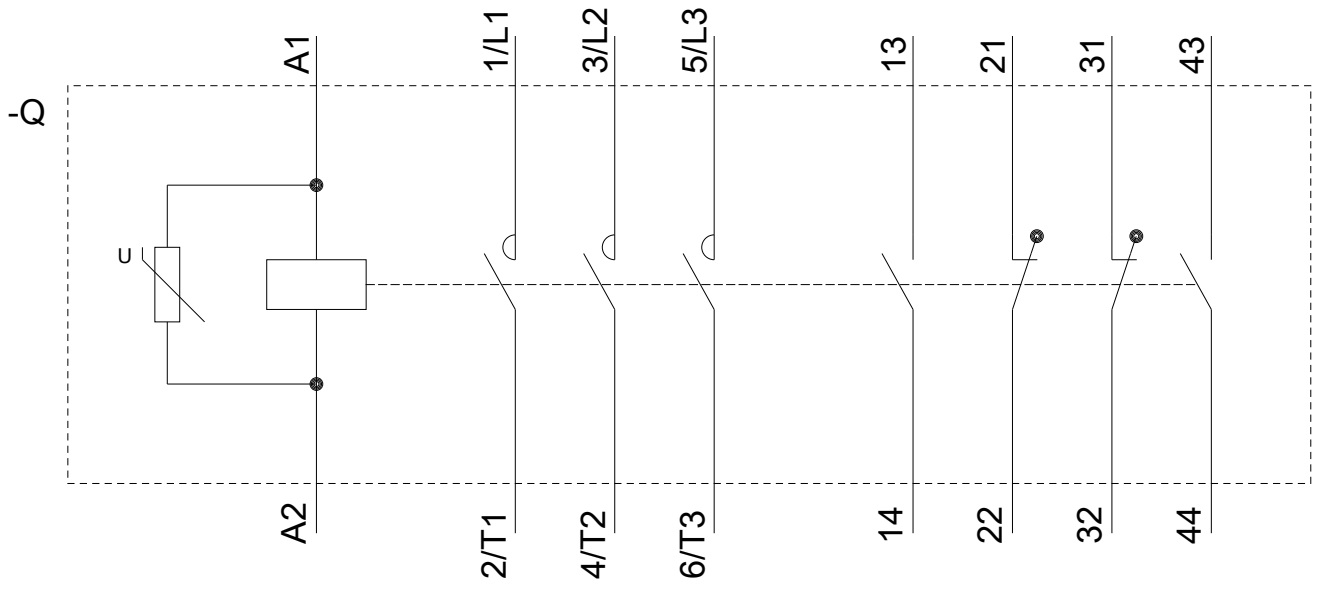
<https://support.industry.siemens.com/cs/ww/en/ps/3RT1276-6AD36/char>

**Further characteristics (e.g. electrical endurance, switching frequency)**

<http://www.automation.siemens.com/bilddb/index.aspx?view=Search&mlfb=3RT1276-6AD36&objecttype=14&gridview=view1>







last modified:

12/22/2018